

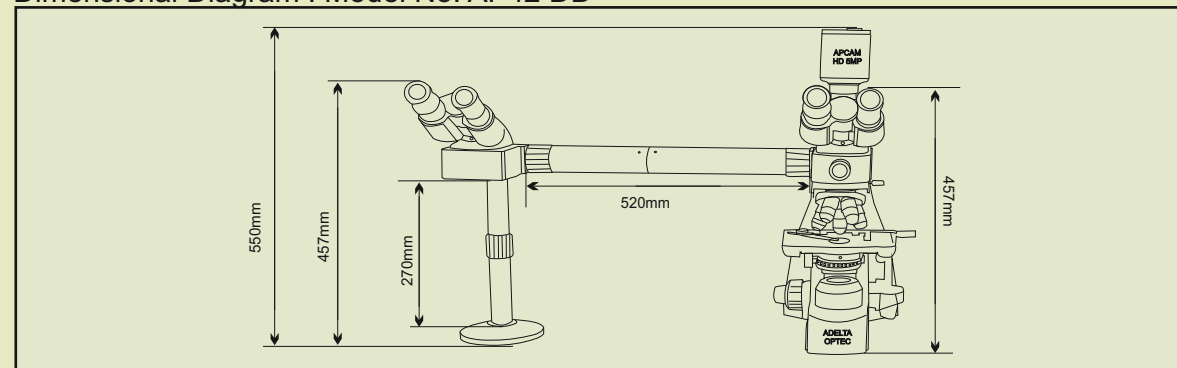
AdeltaVision
Model AP42 DD

Specifications :-

Multi View Double Demonstration Teaching and Discussion Microscope

Model No.	AP42 DD	Product Code : AP 136DDR For Right Seating of Co-Observer	Product Code : AP 136DDL For Left Seating of Co-Observer
Standard Main Frame	Wide body design, ensuring maximum stability, smaller foot print base, antifungal PU paint, colour textured white.		
Optical System	Infinity plan colour corrected optical system		
Main Trinocular Viewing Head Anti Mould -1 No.	30° inclined sidetopf trinocular viewing head 50:50 lights equal split between Binocular & Photo Tube with 0.5X camera adaptor. High transmission prisms (antifungal coated) 360° rotatable & secured, ±5 diopter adjustment on both eyepiece tubes or (left one is adjustable and right one is fixed). Inter-Pupillary distance (I.P.D) RANGE 48~75 MM.		
Connecting Bridge	Telescopic Bridge with Pillar mounting post - 1 No. (For left or Right Seating of Co-Observer)		
Binocular heads Anti mould- 1 No.	30° inclined sidetopf binocular viewing head, high transmission prisms (antifungal coated) 360° rotatable & secured, ±5 diopter adjustment on both eyepiece tubes or (left one is adjustable and right one is fixed). Inter-pupillary distance (I.P.D) range 48~75 mm.		
Antifungal Eye Piece	Adelta Optec Make High Eye Point Plan WF 10X/22mm - 4 Nos. with antifungal coated lens. Spectacles wearer observer & Normal Eye sight person both can look through this easily.		
Adelta Optec Plan Apochromat Objective (Antifungal)	'AP' Adelta Optec ultra high resolution Din Size plan apochromat, Infinity colour corrected objectives fitted with multilayer coated lenses made from imported optical glass. DIN Standard AP 4X (0.10 N.A. ∞/0.17), AP 10X (0.25 N.A. ∞/0.17), AP 20X (0.40 N.A. ∞/0.17), AP 40 X (0.65 N.A. ∞/0.17) and AP 100 X oil immersion (1.25 N.A. ∞/0.17) spring loaded silicon sealed. All are precisely parfocal, parcentered and color coded.		
Nosepiece Precision (Reverse angle)	Quintuple five hole nosepiece perfectly centered & smooth movement ball bearing. Knurling on metal rim for grip.		
Stage Precision Ball Bearing	Double Plate Ball Bearing Mechanical Stage Rackless, belt driven & large size to hold two slides. Stage Size 222mm(W) x 144mm(D) Moving Range traverse : 80mm(X) x 50mm(Y), Extra low positioned co-axial knobs.		
Focusing	Coaxial Coarse & fine focusing Adjustment with stage lock, fine focusing scale value 0.002mm.	Sub stage adjustable swing out Abbe condenser N.A. 1.25 with circular iris diaphragm	
Light Source Built In	10 watt LED variable intensity built-in illumination, Brightness adjustable. External Plug in power supply Adaptor : Input 230V, Output 12V, 2 amp - 1 No.		
Green LED Arrow Pointer (Standard outfit)	Green Led arrow pointer brightness adjustable for ease of demonstration. External Plug in power supply Adaptor : Input 230V, Output 5V, 1amp- 1 No.		
Colour Camera AP CAM 5	Driver free Multiple output HDMI AP CAM 5 MP camera with on chip software for image capture & Edit, SD Card 32 GB, HDMI Cable, Wireless Mouse, Software CD - 1 (for windows operating system) No., External Plug in power supply Adaptor : Input 230V, Output 5V, 1amp- 1 No.		
Optional	1. HD colour Monitor/LED Colour TV. 2. HDMI Multi output colour camera 8MP. 3. Red LED or White LED arrow pointer.		
Accessories	Protection Cover, Allen Key, Instruction Manual : 1 No.		
Gross Weight	20 Kgs approx. Styrofoam box, master thick main card board carton.		

Dimensional Diagram : Model No. AP42 DD



Specifications and equipment are subject to change without any notice or obligation on the part of the manufacturer.
 TO ENSURE CORRECT USAGE, READ USER'S INSTRUCTION MANUAL CAREFULLY BEFORE USING YOUR EQUIPMENT.

Adelta Optec
 E-29, Jai Springs Road Industrial Area, Yamuna Nagar- 135001, Haryana, India
 Phone : +91-1732-252738, +91 9306807669
 Mobile : +91 9996000620
 Email : adeltaoptec@gmail.com
 Website : www.adeltaoptec.com

ADELTA VISION
 MICROSCOPES



ISO 9001 : 2015 Certified
 ISO 13485 : 2016 Certified

**ADELTA[®]
 OPTEC**

The Microscopes
 with sharp images

AP42

Series
LED

Infinity Plan Optical System

Multi-view Microscope
 Double Demonstration

ADELTA VISION[™]

Microscopes

Model No. AP42 DD



The Microscopic image field of view remains the same in the two viewing heads with same brightness and the same image is simultaneously observed by two doctors at the same time on both the viewing heads for discussion using illuminating standard outfit green LED arrow pointer with adjustable brightness



Product Code : AP 136DDL
For Left seating of Co-Observer



Product Code : AP 136DDR
For Right seating of Co-Observer



Product Code : AP 136DDL
For Left seating of Co-Observer



Product Code : AP 136DDR
For Right seating of Co-Observer