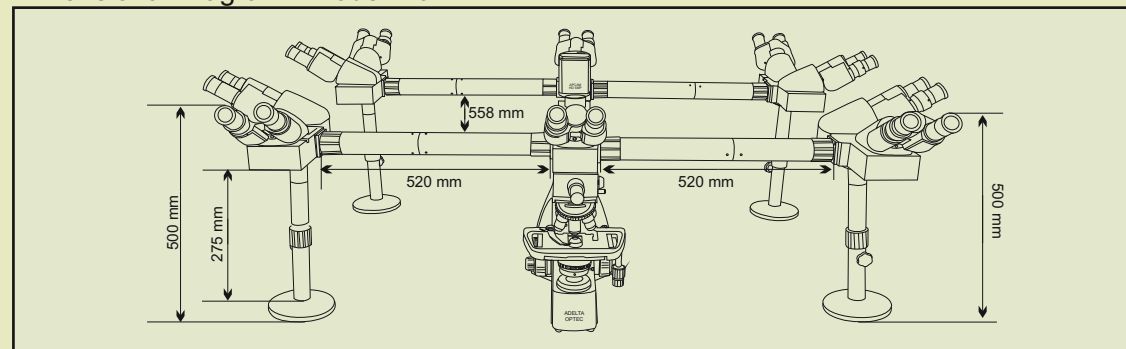


AdeltaVision  
**Model AP42 D**  
 SPECIFICATIONS

Adeltavision Multi View Decca Head Demonstration Teaching and Discussion Microscope

Model No.	AP42 D	Product Code : AP 136D
Standard Main Frame	Wide body design, ensuring maximum stability, smaller foot print base, antifungal PU paint, Colour textured white	
Optical System	Infinity plan colour corrected optical system	
Main Trinocular Viewing Head Anti Mould - 1 No.	30° inclined sidetopf trinocular viewing head 50:50 lights equal split between Binocular & Photo Tube with 0.5X camera adaptor. High transmission prisms (antifungal coated) 360° rotatable & secured, ±5 diopter adjustment on both eyepiece tubes or (left one is adjustable and right one is fixed). Inter -Pupillary distance (I.P.D) RANGE 48~75 MM.	
Connecting Bridge	Telescopic Bridge with Pillar mounting post - 5 No.	
Binocular Head Anti Mould - 9 Nos	30° inclined sidetopf binocular viewing head, high transmission prisms (antifungal coated) 360° rotatable & secured, ±5 diopter adjustment on both eyepiece tubes or (left one is adjustable and right one is fixed). Inter-pupillary distance (I.P.D) range 48~75 mm.	
Antifungal Eye Piece	Adelta Optec Make High Eye Point Plan WF 10X/22mm - 20 Nos. with antifungal coated lens. Spectacles wearer observer & Normal Eye sight person both can look through this easily.	
Adelta Optec Plan Apochromat Objective (Antifungal)	'AP' Adelta Optec ultra high resolution Din Size plan apochromat, Infinity colour corrected objectives fitted with multilayer coated lenses made from imported optical glass. DIN Standard AP 2.5X (0.08 N.A. ∞/0.17) or AP 4X (0.10 N.A. ∞/0.17), AP 10X (0.25 N.A. ∞/0.17), AP 20X (0.40 N.A. ∞/0.17) and AP 40 X (0.65 N.A. ∞/0.17), AP 60X (0.85 N.A. ∞/0.17), AP 100 X oil immersion (1.25 N.A. ∞/0.17) are spring loaded silicon sealed. All are precisely parfocal, parcentered and color coded.	
Nosepiece Precision (Reverse angle)	Sextuple six hole nosepiece perfectly centered & smooth movement ball bearing. Knurling on metal rim for grip.	
Stage Precision Ball Bearing	Double Plate Ball Bearing Mechanical Stage Rackless, belt driven & large size to hold two slides. Stage Size 222mm(W) x 144mm(D) Moving Range traverse : 80mm(X) x 50mm(Y), Extra low positioned co-axial knobs.	
Focusing	Coaxial Corse & Fine focusing Adjustment with stage lock, fine focusing scale value 0.002 mm	Sub stage adjustable swing out Abbe condenser N.A. 1.25 with circular Iris diaphragm
Light Source Built IN	10 watt LED variable intensity built-in illumination, Brightness adjustable. External Plug in power supply Adaptor : Input 230V, Output 12V, 2 amp - 1 No.	
Green LED Arrow Pointer (Standard Outfit)	Green Led arrow pointer brightness adjustable for ease of demonstration. External Plug in power supply Adaptor : Input 230V, Output 5V, 1amp- 1 No.	
Colour Camera AP Cam 5	Driver free Multiple output HDMI AP CAM 5 MP camera with on chip software for image capture & Edit, SD Card 32 GB, HDMI Cable, Wireless Mouse, Software CD - 1 (for windows operating system) No., External Plug in power supply Adaptor : Input 230V, Output 5V, 1amp- 1 No.	
Optional	1. HD colour Monitor/LED colour TV. 2. HDMI output colour camera 8MP. 3. Red LED or White LED arrow pointer. 4. Kohler illumination.	
Accessories	Protection Cover, Allen Key, Instruction Manual : 1 No.	
Gross Weight	38 Kgs approx. Styrofoam box, master thick main card board carton.	

Dimensional Diagram : Model No. AP42 D



Specifications and equipment are subject to change without any notice or obligation on the part of the manufacturer.  
 TO ENSURE CORRECT USAGE, READ USER'S INSTRUCTION MANUAL CAREFULLY BEFORE USING YOUR EQUIPMENT.

Adelta Optec  
 E-29, Jai Springs Road Industrial Area, Yamuna Nagar- 135001, Haryana, India  
 Phone : +91-1732-252738, +91 9306807669  
 Mobile : +91 9996000620  
 Email : adeltaoptec@gmail.com  
 Website : www.adeltaoptec.com

ADELTA VISION  
 MICROSCOPES



ISO 9001 : 2015 Certified  
 ISO 13485 : 2016 Certified

**ADELTA<sup>®</sup>**  
**OPTEC**

The Microscopes  
 with sharp images

**ADELTA VISION<sup>™</sup>**

**Microscopes**

**Model No. AP42 D**

**AP42**  
 Series  
 LED  
 Infinity Plan Optical System  
 Multi-view Microscope  
 Decca Head



**Adeltavision**  
**Multi View Decca Head Demonstration**  
**Teaching and Discussion Microscope**



Model No. AP42 D

The Microscopic image field of view remains the same in the ten viewing heads with same brightness and the same image is simultaneously observed by ten doctors at the same time on all the viewing heads for discussion using illuminating standard outfit green LED arrow pointer with adjustable brightness

- Large field of view 22mm.
- Plan apochromat infinity colour corrected optical system.
- Large Mechanical Stage Rackless type to hold two slides for observation.
- High intensity light source of 10 watt LED equivalent to 100 watt halogen.
- Multi Output HDMI camera and in built SD card for storage of captured images.
- Swing out Abbe Condenser to facilitate evenly illuminated field with low power objective.
- Plan 2.5x infinity colour corrected objective is provided as standard for viewing complete Specimen.
- Plan infinity 60X ultra High resolution objective is provided as standard with Adeltavision Decca Head Microscopes.
- Sextuple six hole nosepiece perfectly centered & smooth movement ball bearing is provided as standard on all the Adeltavision Decca Head Microscopes

Multi-output APCAM 5MP Camera HDMI (via LCD Projector & LED Monitor at the same time) with in built on chip software & 32 GB SD Card Storage.